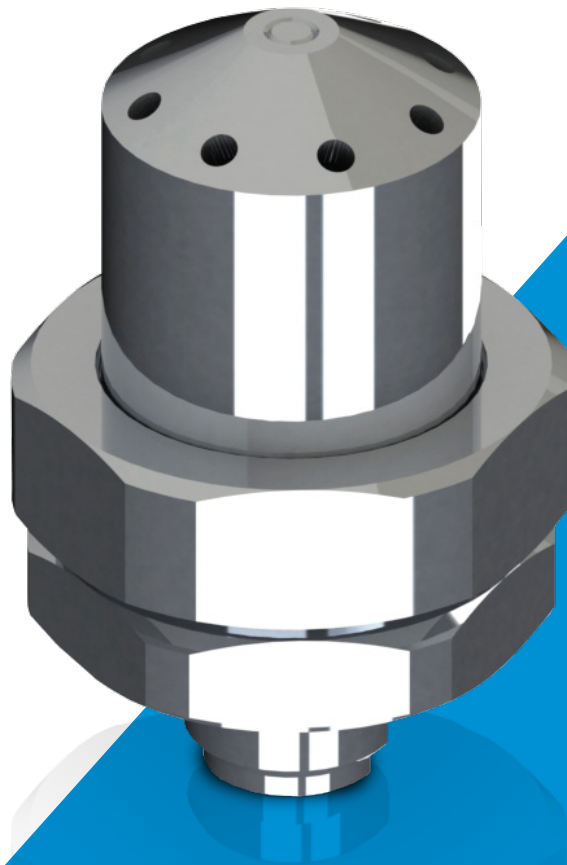




SPRAY NOZZLES FOR INDUSTRIAL APPLICATIONS



MF SERIES
FULL CONE ATOMIZER

MF SERIES FULL CONE ATOMIZER

MF SERIES IMPROVE THE EFFICIENCY OF THE MANUFACTURING PROCESSES.

In many industrial processes requiring gas cooling, fumes suppression or the injection of chemicals, it is necessary to use suitable air atomizing nozzles. PNR bi-phase nozzles MF series are products specifically designed to improve the efficiency of the manufacturing processes with a reduced energy consumption and a low clogging risk. The special geometry of the MF air atomizing nozzles provides a uniform spray pattern and small droplets.

MATERIALS

AISI 316L
Titanium Gr2
Hastelloy C22

THREAD SPECIFICATION

1" - 14 - UNS

CONNECTIONS

Gas
UNF/UNS

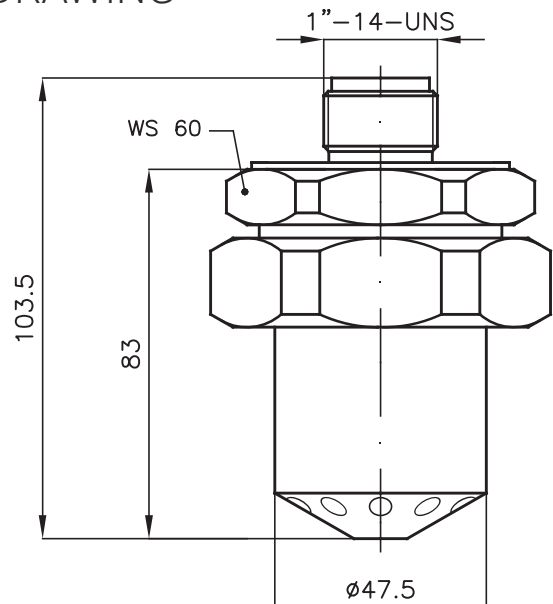
SPRAY ANGLE

20° - 55°

PRODUCT RENDERING



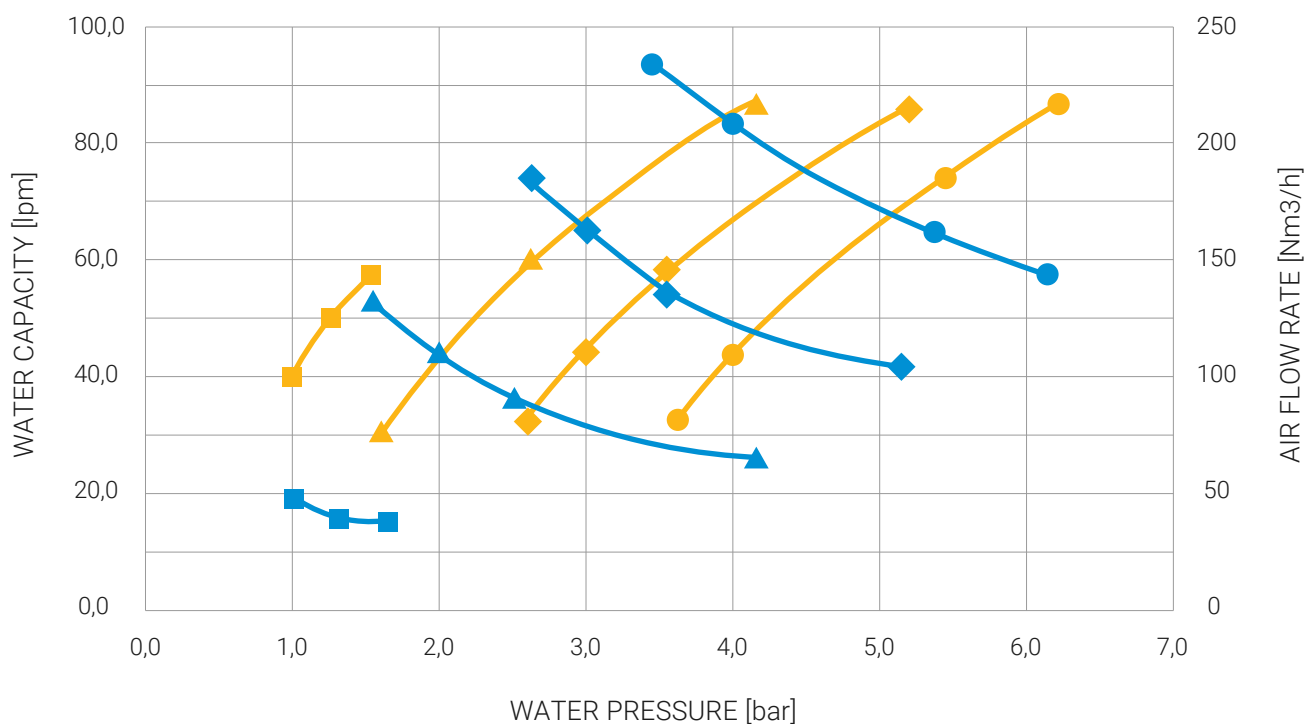
DIMENSIONAL DRAWING



WATER AIR FLOW DIAGRAM

Water Capacity & Flow Rate vs Water Pressure.

Spray performances curves on request, upon specification of required working pressure.



AIR PRESSURE: ■ 1,0 bar ▲ 2,0 bar
◆ 3,0 bar ● 4,0 bar

LIQUID CAPACITY

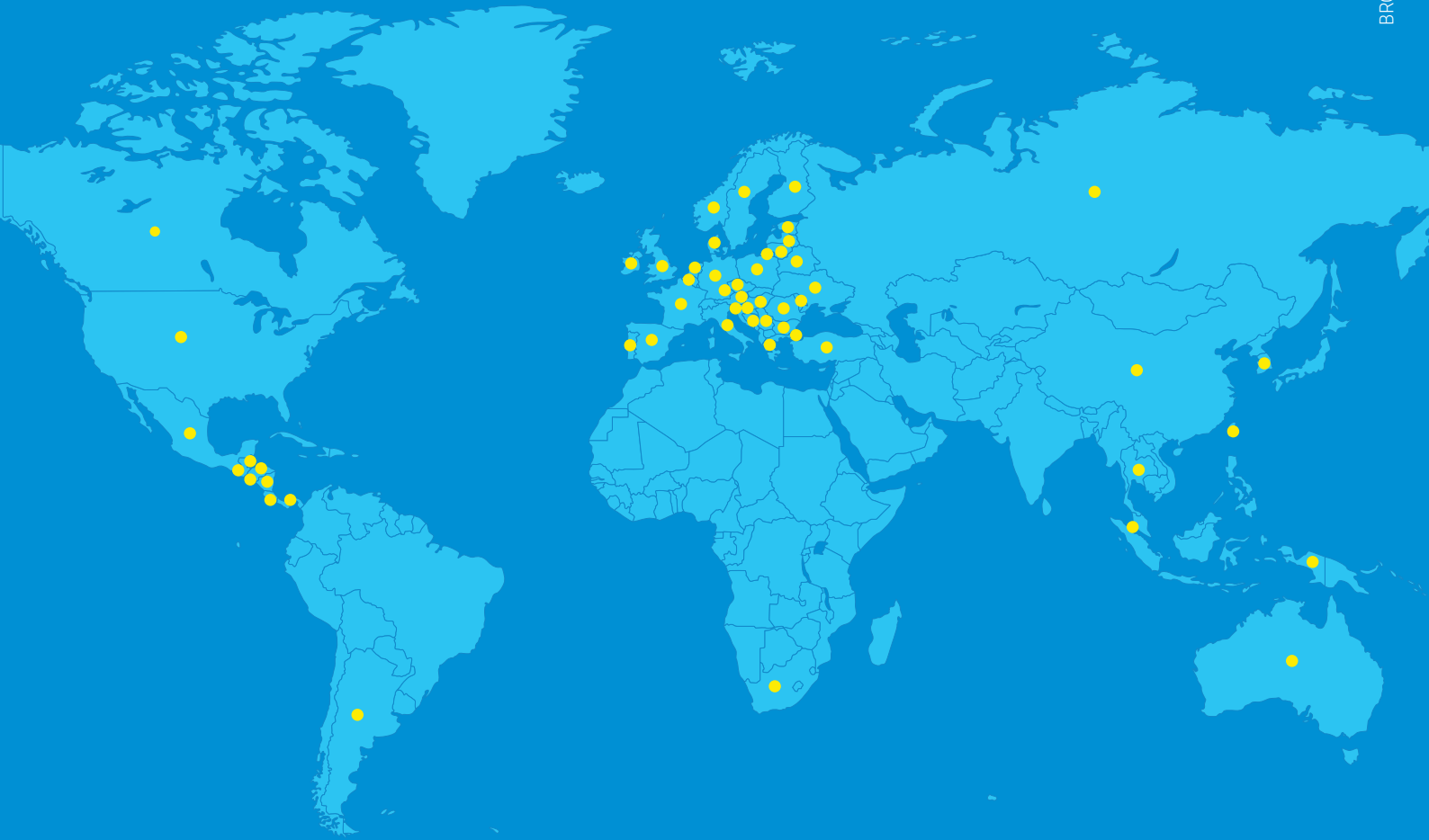
AIR FLOW RATE

PERFORMANCES

CODE	X [deg]	QW [lpm]	QA MAX [Nm3/h]
MFX 001A MM ZY	20°-55°	1,9-9,5	130
MFX 005A MM ZY	20°-55°	7,6-26,2	265
MFX 010A MM ZY	20°-55°	15,1-49,2	240
MFX 025A MM ZY	20°-55°	56,8-79	130
MFX 040A MM ZY	20°-55°	53-197	620

A GLOBAL PRESENCE ALL OVER THE WORLD.

BRC MFA EN 01 - ©PNR Italia, all rights reserved



PNR ITALIA SRL

Via Gandini 2, 27058 Voghera (PV) Italy
For more information, visit www.pnr.eu

Call or write us for customized solutions!

☎ +39 0383 344 611 ✉ info@pnr.it

