



NEBULIZATION OF DISINFECTANT LIQUIDS



SANI-BOOST

PNR ITALIA FOR SANIFICATION AND DISINFECTION

The SANI-SYSTEM product range uses the new technology of PNR Italia specifically designed to make environments and surfaces safer.

Thanks to its extensive experience in designing and manufacturing spraying systems and industrial spraying nozzles, PNR has been able to realize a range of products dedicated to sanitising and disinfection of the environments.

The new **SANI-BOOST** products are a series of spraying machines specially adapted for disinfecting or sanitizing outdoor environments or large buildings, such as civil or industrial structures, and large premises such as gyms, schools, accommodation, canteens, etc

These devices are characterized by their simplicity of use, low energy and water consumption and the small footprint that facilitate their handling wherever there is a need to sanitize.

The all-on-board formula (pump, filtering system, rotation system) combined with an easy-to-use control panel greatly simplifies its use.

By connecting only the chosen solution and electric current, the **SANI-BOOST** are immediately operational obtaining a powerful and effective spraying system.

CONTACT US NOW FOR MORE INFORMATION.

NOTE: the sanitising solution is not included in the device.

ATTENTION: comply with the manufacturer's instructions for the sanitizing/disinfectant liquid placed in the plant. PNR Italia S.r.l. does not supply the liquid to be injected into the SANI-BOOST System and is not responsible for the effects of the liquid/solution used.

SANI-BOOST 10

Power 10, throw distance 10 m



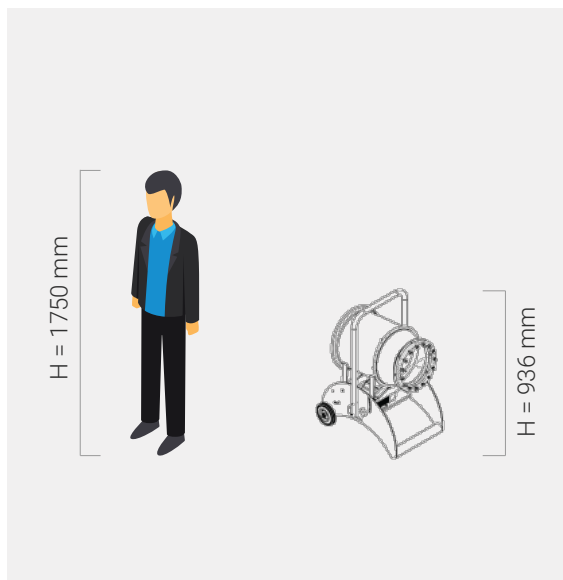
FEATURES

- Plug 220 Volts 16A
- Wheels for easy movement
- Lifting hook
- Comfortable handle grip
- Interchangeable nozzles for optimizing water flow
- Possibility of connection to tank

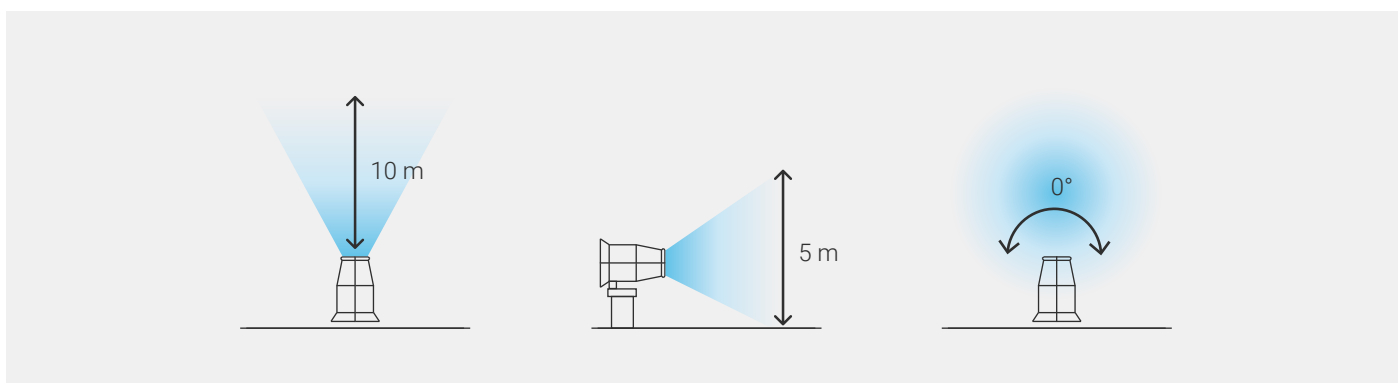


WATER CONSUMPTION WITH 10 GPH NOZZLES

bar	2	4	6
L/min	2,82	4	5



TECHNICAL DATA	SANI-BOOST 10
Installed power	1,5 Kw
Fan power	0,750 Kw
Water pump power	0,750 Kw
Protection rating	IP55
Power supply	220-230 Volts - 50 Hz
Pitching	0-15°
Max throw distance	10 m
Noise level	< 93 Lwa
Dry weight	58 Kg
Dimensions (mm)	L = 810 H = 936 W = 555
Minimum pressure	1 bar



SANI-BOOST 40

Power 40, throw distance 20 m



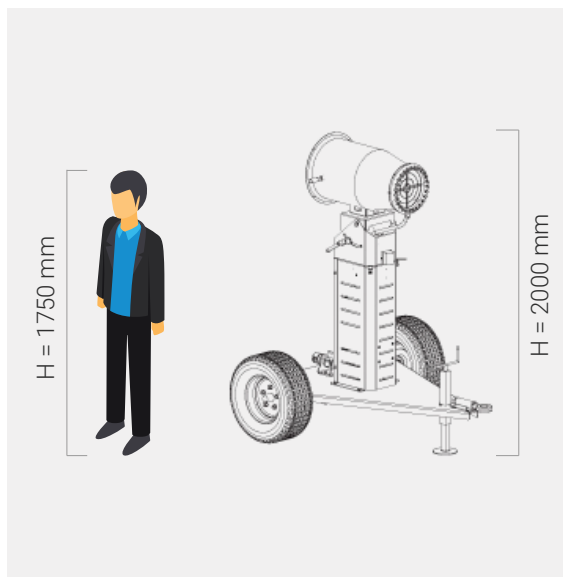
FEATURES

- Wheels for easy movement
- Tow hitch
- Lifting system by forklift
- For use with remote control
- Interchangeable nozzles for optimizing water flow
- Electric rotation and solenoid valve water
- Possibility of connection to tank

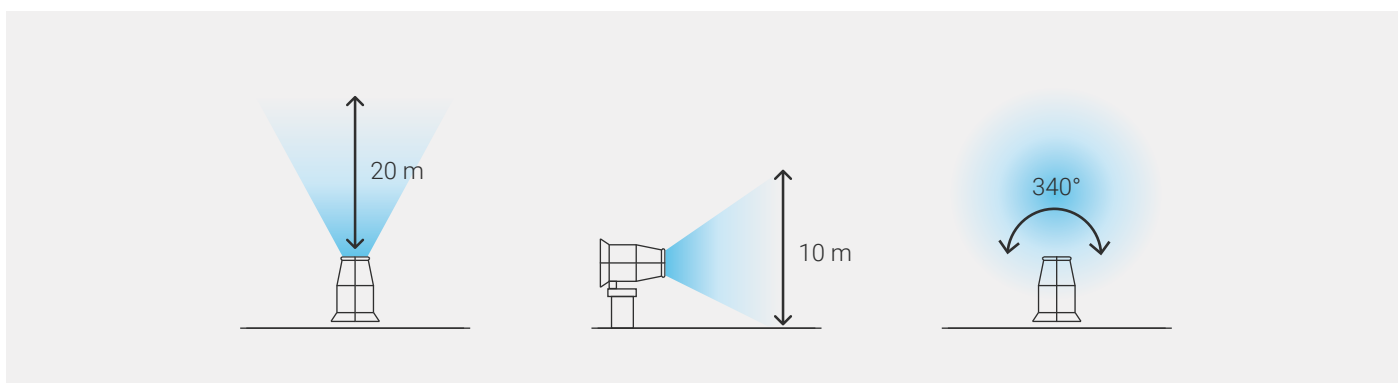


WATER CONSUMPTION WITH 10 GPH NOZZLES

bar	6	9	12	15
L/min	16	20	23	25



TECHNICAL DATA	SANI-BOOST 40
Installed power	6 Kw
Fan power	3 Kw
Water pump power	2,2 Kw
Protection rating	IP55
Power supply	16A 3P+(N)+T 400Volts 50Hz
Pitching	-20° +45°
Max throw distance	20 m
Noise level	< 93 Lwa
Dry weight	200 Kg
Dimensions (mm)	L = 1800 H = 2000 W = 1500
Minimum pressure	1 bar



SANI-BOOST 50

Power 50, throw distance 30 m



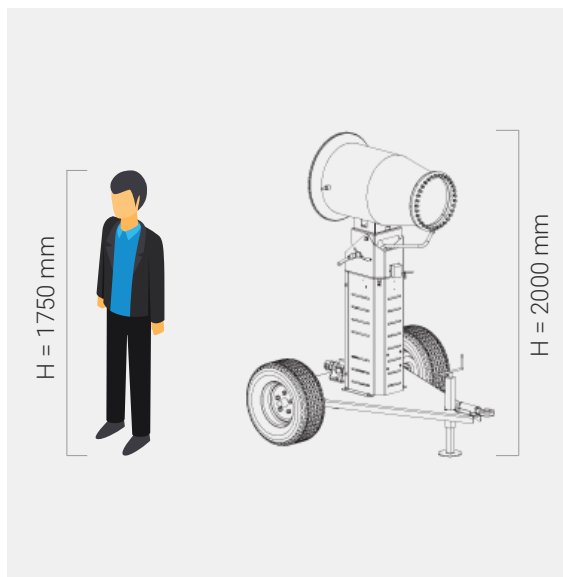
FEATURES

- Wheels for easy movement
- Tow hitch
- Lifting system by forklift
- For use with remote control
- Interchangeable nozzles for optimizing water flow
- Electric rotation and solenoid valve water
- Possibility of connection to tank

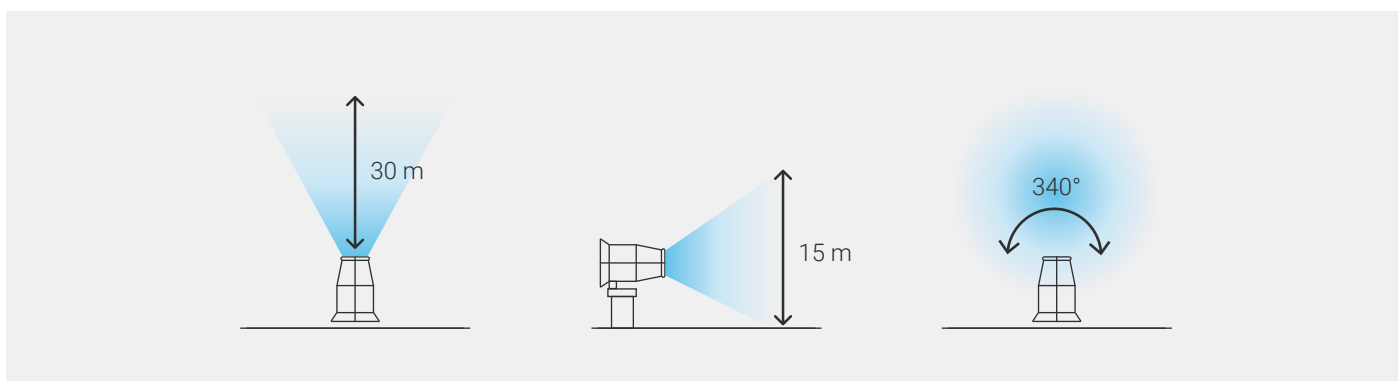


WATER CONSUMPTION WITH 10 GPH NOZZLES

bar	6	9	12	15
L/min	20	24	28	31



TECHNICAL DATA	SANI-BOOST 50
Installed power	8 Kw
Fan power	5,5 Kw
Water pump power	2,2 Kw
Protection rating	IP55
Power supply	32A 3P+(N)+T 400Volts 50Hz
Pitching	-20° +45°
Max throw distance	30 m
Noise level	< 93 Lwa
Dry weight	240 Kg
Dimensions (mm)	L = 1800 H = 2000 W = 1500
Minimum pressure	1 bar





PNR ITALIA SRL

Via Gandini 2, 27058 Voghera (PV) Italy
Phone +39 0383 344 611, Email info@pnr.it
For more informations, please visit www.pnr.eu